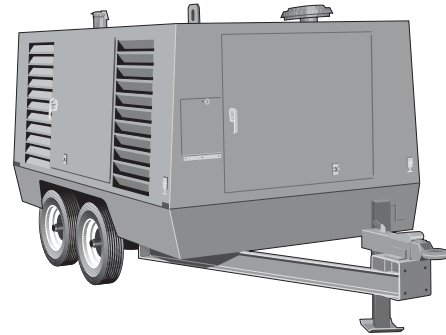
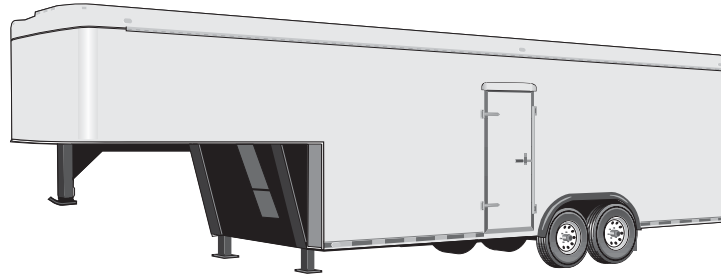


# GENERAL APPLICATIONS

5500 - 7000 LBS. CAPACITY



## AXLE TYPES

### 5500-7000 lbs. capacity

- Complete service manual
- Precision machined, forged steel spindles
- Precision machined integral cast iron hub/drums
- 8-bolt and 5 bolt (UTG) hubs available
- Standard grease; optional oil bath; E-Z Lube® or Nev-R-Lube™ option
- Press-in wheel studs (8-bolt)
- 12 x 2" CSA approved electric brakes (at 6000#), 12 x 2" hydraulic brakes
- Brakes are available with and without parking feature
- Hydraulic free backing brakes available
- Hydraulic brakes - uni-servo and duo-servo available
- Inner wiring system for easier installation and protection of brake wiring
- Heavy wall 3" diameter tube
- Straight or Drop spindles (4" drop only)



- Totally rubber-cushioned for smooth, quiet independent ride
- Easy installation with less maintenance
- Less transfer of road shock which insulates cargo from road shocks and vibration
- Self-damping action
- Load-carrying cross member
- Rubber cords compounded for maximum dependability and durability
- Independent wheel suspension system
- 5 year limited warranty on suspension system
- Low profile for maximum road clearance
- Various starting angles to control trailer height

### D60 & D70 LEAF SPRING



- High quality alloy steel springs in a variety of capacities
- Single, tandem or triple axle assemblies with equalized suspensions
- Slipper spring or double eye leaf spring suspension
- Optional hanger and attaching parts kits available
- Durable, wear-resistant components
- 2 year limited warranty



#### CAUTION:

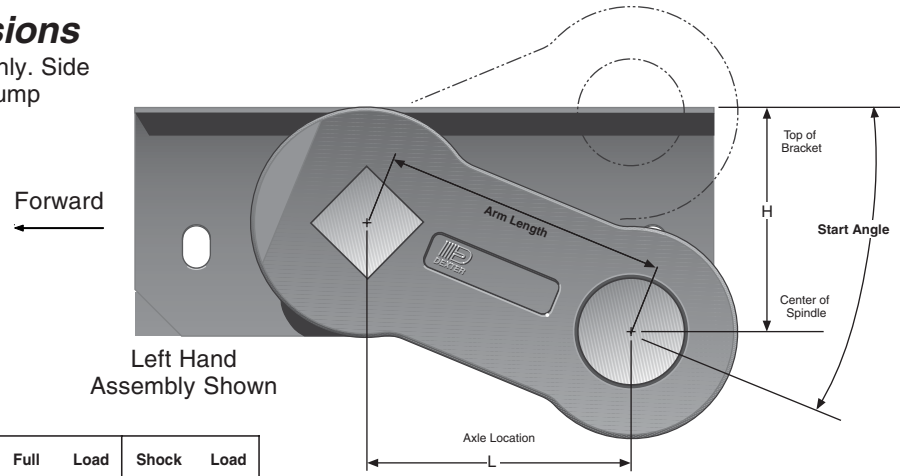
*Triple axle assemblies are NOT recommended for Torflex® axles.*

- High and low profile brackets with optional mounting brackets are available
- Rubber cushioning eliminates metal-to-metal contact
- Shock absorption provided by the natural hysteresis of rubber
- Single or tandem axle assemblies (triple assemblies are not recommended)
- Durable, wear-resistant components

DEXTER AXLE

## #12 Articulation Dimensions

Dimensions are for top mount only. Side mount is .31" higher. Allow 3" bump clearance from full load.



Start Angle	Bracket Profile	No Load		Full Load		Shock Load	
		H	L	H	L	H	L
45° down	Low	6.24	4.24	4.30	5.54	3.30	5.86
	High	6.99	4.24	5.05	5.54	4.05	5.86
22.5° down	Low	4.30	5.54	2.00	6.00	0.96	5.91
	High	5.05	5.54	2.75	6.00	1.71	5.91
10° down	Low	3.04	5.91	0.70	5.86	-0.30	5.54
	High	3.79	5.91	1.45	5.86	0.45	5.54
0°	Low	2.00	6.00	-0.30	5.54	-1.22	5.06
	High	2.75	6.00	0.45	5.54	-0.47	5.06
10° up	Low	0.96	5.91	-1.22	5.06	-2.05	4.42
	High	1.71	5.91	-0.47	5.06	-1.30	4.42
22.5° up	Low	-0.30	5.54	-2.24	4.24	-2.91	3.44
	High	0.45	5.54	-1.49	4.24	-2.16	3.44

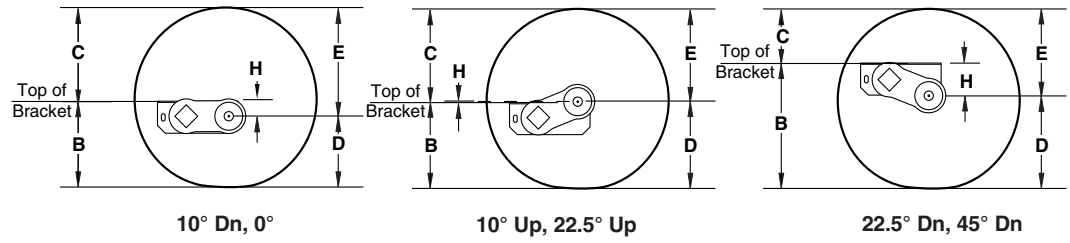
### #12 OVERHANG PER SIDE

Spindle	Min.	Max.
Short	7.00"	15.20"
Standard	7.47"	15.20"

Note: Positive numbers in the H column indicate the spindle is BELOW the top of the bracket. Conversely, negative numbers are ABOVE the top of the bracket.

## #12 Full Load Dimensions

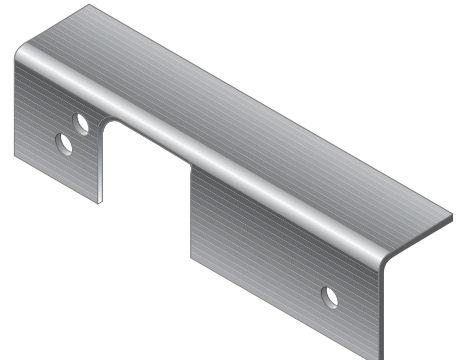
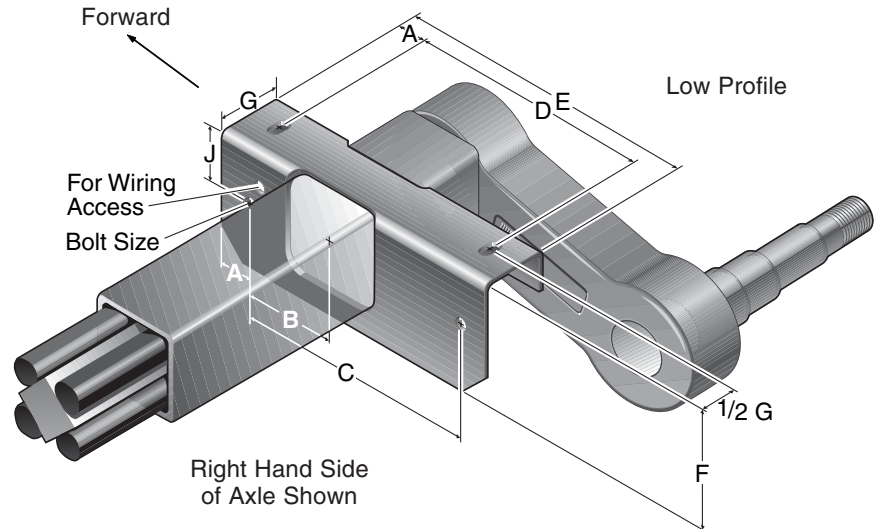
Dimensions are for low profile, top mount only. High profile brackets are .75" higher. Side mount is .31" higher. Allow 3" bump clearance from full load.



### START ANGLE

Tire	45° Down			22.5° Down			10° Down			0°			10° Up			22.5° Up			D	E
	H	B	C	H	B	C	H	B	C	H	B	C	H	B	C	H	B	C		
LT235/85R16	4.3	18.6	11.1	2.0	16.3	13.4	0.7	15.0	14.7	-0.3	14.0	15.7	-1.2	13.1	16.6	-2.2	12.1	17.6	14.3	15.4
7.50-16LT	4.3	19.2	12.4	2.0	16.9	14.7	0.7	15.6	16.0	-0.3	14.6	17.0	-1.2	13.7	17.9	-2.2	12.7	18.9	14.9	16.7
9.50-16.5LT	4.3	18.4	10.9	2.0	16.1	13.2	0.7	14.8	14.5	-0.3	13.8	15.5	-1.2	12.9	16.4	-2.2	11.9	17.4	14.1	15.2

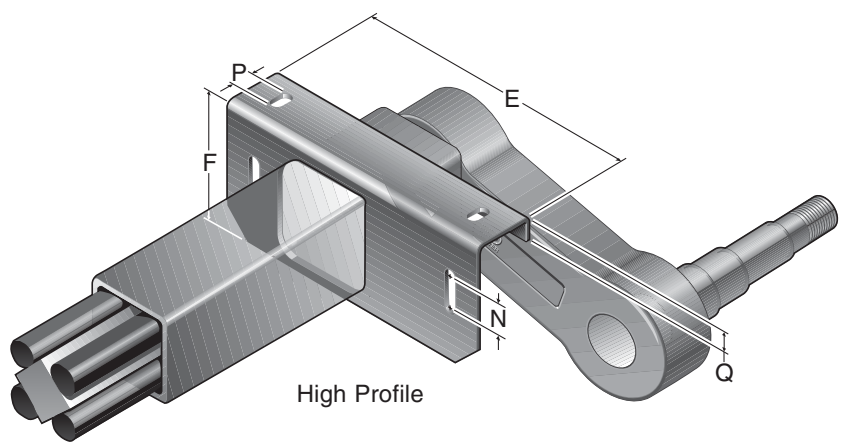
**12** Bracket Dimensions



Side Mount Hanger

**#12 BRACKET DIMENSIONS**

	Low	High
A	1.25	1.25
B	3.50	3.50
C	9.50	9.50
D	9.00	9.00
E	12.00	12.00
F	4.37	5.12
G	2.50	2.50
J	2.06	2.06
N	----	1.03
P	----	1.00
Q	----	1.00
Bolt Size	<sup>5</sup> / <sub>8</sub> " bolt	
Tube Size	3.50	3.50



# LEAF SPRING APPLICATION INFORMATION

## DOUBLE EYE SPRINGS

*For standard 33" axle spacing*  
**Single A/P-122-00**  
**Tandem A/P-233-00**  
**Triple A/P-335-00**  
*Spring Length*

	21"	24"	26"
A	19.62	23.50	25.75
B	25.00	27.50	29.50
C	28.75	31.00	33.00
D	10.62	12.00	13.00
E	28.75	31.00	33.00

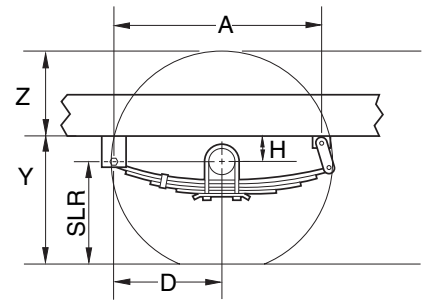
*For optional 35" axle spacing*  
**Tandem A/P-264-00**  
**Triple A/P-364-00**  
*Spring Length*

	21"	24"	26"
B	26.00	28.50	30.50
C	30.80	33.00	35.00
D	10.62	12.00	13.00
E	30.80	33.00	35.00

## D60 OVERHANG PER SIDE

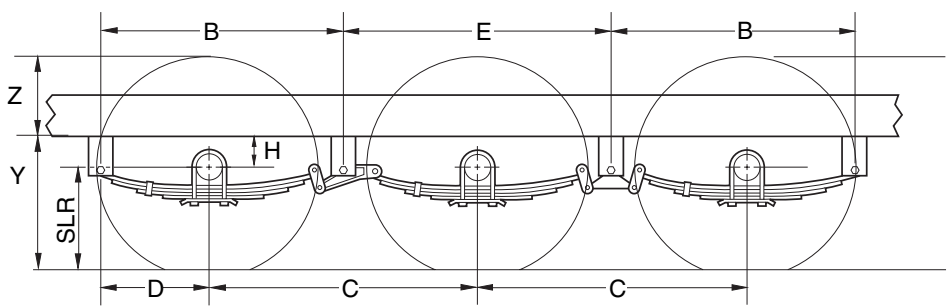
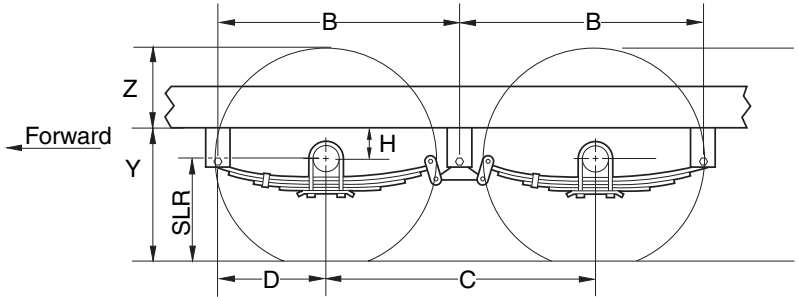
	Min.	Disc.*	Max.
Straight	6.63"	9.00"	10.00"
4" Drop-Short	7.87"	9.00"	10.00"
4" Drop	8.25"	9.00"	10.00"
Nev-R-Lube™	6.19"	9.00"	10.00"

\* Minimum overhang with disc brakes



## D70 OVERHANG PER SIDE

	Min.	Max.
Straight	6.63"	9.00"
4" Drop	7.87"	9.00"
Nev-R-Lube™	6.37"	9.00"



## DOUBLE EYE AXLE ASSEMBLIES

Hanger Kits			Quantity Per Kit				
Part No.	Description	Ht.	HGR-104-00	HGR-105-00	HGR-248-00	HGR-249-00	HGR-348-00
028-005-00	Hanger	3.25"	2	----	4	2	4
028-006-00	Front Hanger	1.44"	----	2	----	----	----
029-008-00	Front Hanger	2.06"	----	----	----	4	----
029-031-00	Center Hanger	3.62"	----	----	2	----	4
030-020-00	Rear Hanger	.91"	2	2	----	----	----

Attaching Parts Kit		A/P-122-00	A/P-233-00	A/P-264-00†	A/P-335-00	A/P-364-00†
006-092-01	Flange Locknut	6	14	14	22	22
007-126-00	Shackle Bolt	2	6	6	10	10
013-104-02	Equalizer	----	2	----	2	----
013-105-02	Equalizer	----	----	----	2	----
013-122-02	Equalizer	----	----	2	----	2
013-126-02	Equalizer	----	----	----	----	2
018-011-00	Shackle Link	----	4	4	6	6
018-012-00	Shackle Link, Long	2	----	----	----	----
018-020-00	Shackle Link Assy.	----	4	4	6	6
018-021-00	Shackle Link Assy., Long	2	----	----	----	----

† For 35" axle spacing using 26" springs

# LEAF SPRING APPLICATION INFORMATION

**5500 - 7000 LBS. CAPACITY**

## SLIPPER SPRINGS

	Single	Tandem		Triple	
	A/P-103-00	A/P-202-00 <sup>§</sup>	A/P-216-00 <sup>‡</sup>	A/P-302-00 <sup>§</sup>	A/P-316-00 <sup>‡</sup>
A	24.0	----	----	----	----
B	----	28.8	30.4	28.8	30.4
C	----	33.5	36.0	33.5	36.0
D	11.5	11.5	11.5	11.5	11.5
E	----	----	----	33.0	35.0
F	----	----	----	33.0	35.0

Note: All 2" Wide Slipper Springs

§ For 33.5" axle spacing      ‡ For 36" axle spacing

A, B, E - Hanger Spacing

C - Axle Spacing

D - Axle Location

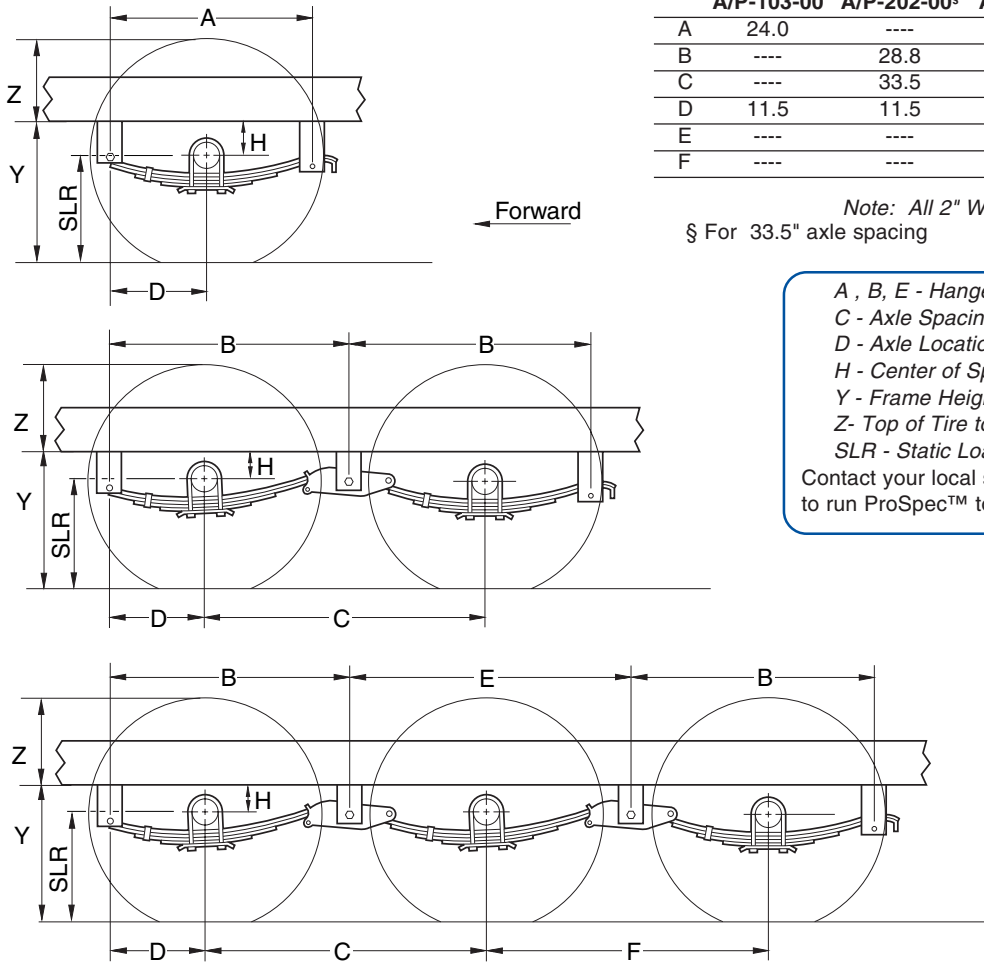
H - Center of Spindle

Y - Frame Height

Z - Top of Tire to Bottom of Frame

SLR - Static Load Radius

Contact your local sales engineer or distributor to run ProSpec™ to determine H, Y, Z, SLR.



## SLIPPER SPRING AXLE ASSEMBLIES

Hanger Kits			Quantity Per Kit		
Part No.	Description	Ht.	HGR-110-00	HGR-202-00	HGR-302-00
028-001-00	Front Hanger	4.25"	2	2	2
029-001-00	Center Hanger	3.50"	----	2	4
030-028-00	Rear Hanger	4.00"	2	2	2

Attaching Parts Kit		A/P-103-00	A/P-202-00 <sup>§</sup>	A/P-216-00 <sup>‡</sup>	A/P-302-00 <sup>§</sup>	A/P-316-00 <sup>‡</sup>
Part No.	Description					
006-007-01	<sup>9</sup> / <sub>16</sub> -18 Locknut	2	4	4	6	6
006-011-00	Keeper Nut	2	4	4	6	6
006-111-00	Equalizer Nut	----	2	2	4	4
007-001-01	Equalizer Bolt	----	2	2	4	4
007-007-00	Keeper Bolt	2	4	4	6	6
007-017-00	Spring Eye Bolt	2	4	4	6	6
013-004-00	Equalizer	----	2	----	4	----
013-044-01	Equalizer	----	----	2	----	4

§ For 33.5" axle spacing

‡ For 36" axle spacing

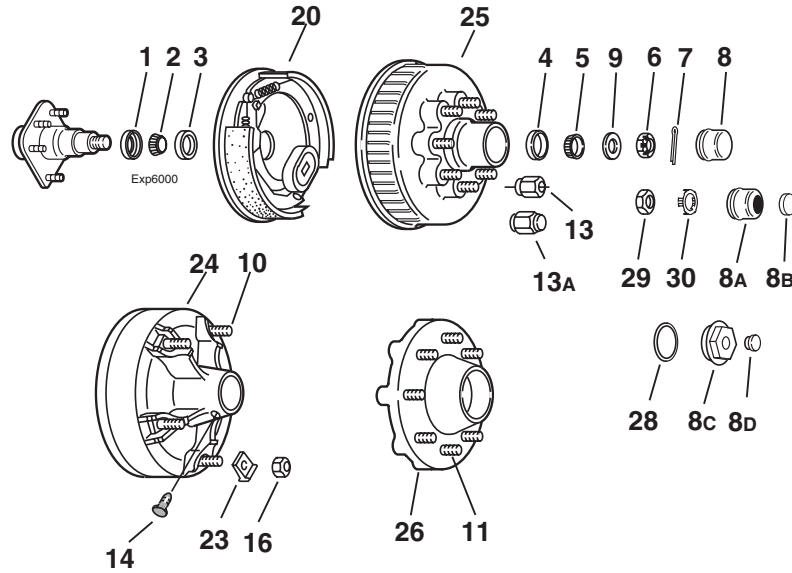
Some combinations of hangers and spring mounting may result in insufficient bump clearance. For additional Hanger kits, AP kits or other tires, refer to pages 85-87.

**DEXTER AXLE**

# 865 AND DEMOUNTABLE HUB GROUP

5500 - 7000 LBS. CAPACITY

DEXTER AXLE



## GREASE LUBE PARTS

Item	Part No.	Description
1	010-054-00	Grease Seal 2.25"
1	010-036-00	E-Z Lube® Seal 2.25"
2	031-030-02	25580 Inner Bearing Cone
3	031-030-01	25520 Inner Bearing Cup
4	031-017-01	14276 Outer Bearing Cup - 865 Hub
4	031-029-01	15245 Outer Bearing Cup - UTG Hub
5	031-029-02	15123 Outer Bearing Cone - UTG Hub
5	031-017-02	14125A Outer Bearing Cone - 865 Hub
6	006-001-00	Spindle Nut
7	019-002-00	Cotter Pin (not used on E-Z Lube®)
8	021-001-00	Grease Cap - UTG Hub
8	021-039-00	Grease Cap - 865 Hub
8A	021-042-01	Grease Cap E-Z Lube®-UTG
8A	021-042-02	Grease Cap E-Z Lube® Chrome Option-UTG
8A	021-043-01	Grease Cap E-Z Lube®-865 Hub
8A	021-043-02	Grease Cap E-Z Lube® Chrome Option-865 Hub
8B	085-001-00	E-Z Lube® Rubber Plug
9	005-057-00	Spindle Washer
16	006-005-00	9/16-18 Nut for Rim Clamp
23	015-002-00	Rim Clamp
29	006-191-00	Special Jam Nut for E-Z Lube® (after 2002)
30	006-190-00	Spindle Nut Retainer for E-Z Lube® (after 2002)

## OIL LUBE PARTS

Item	Part No.	Description
1	010-063-00	Oil Seal 2.25"
2	031-030-02	25580 Inner Bearing Cone
3	031-030-01	25520 Inner Bearing Cup
4	031-017-01	14276 Outer Bearing Cup - 865 Hub
4	031-029-01	15245 Outer Bearing Cup - UTG Hub
5	031-029-02	15123 Outer Bearing Cone
5	031-017-02	14125A Outer Bearing Cone
6	006-001-00	Spindle Nut
7	019-002-00	Cotter Pin
8C	021-035-00	Oil Cap (865 Hub)
ns	021-040-00	Oil Cap (UTG Hub)
8D	046-032-00	Oil Cap Plug
9	005-057-00	Spindle Washer
14	046-052-00	Oil Filler Plug (865 and demountable)
ns	046-032-00	Oil Cap Plug
16	006-005-00	9/16-18 Nut for Rim Clamp
23	015-002-00	Rim Clamp
28	010-045-00	865 'O' Ring
ns	010-059-00	UTG 'O' Ring

ns - not shown

Note: 6 on 5.5 hubs are available on these axles. See section in 4000-6000 lbs. category.

## HUBS

Item	Part No.	Description	Bolt Circle
<i>Hubs and Drums</i>			
24	008-174-05	Grease 9/16" stud	Demountable
24	008-174-06	Oil 9/16" stud	Demountable
25	008-219-04	Grease 1/2" stud	8 on 6.50
25	008-219-13	Grease 9/16" stud	8 on 6.50
25	008-219-18	Grease 5/8" stud	8 on 6.50
25	008-219-09	Oil 1/2" stud	8 on 6.50
25	008-219-20	Oil 9/16" stud	8 on 6.50
25	008-219-26	Oil 5/8" stud	8 on 6.50
<i>Plain Hubs</i>			
26	008-231-09	Grease 1/2" stud	8 on 6.50
26	008-231-18	Grease 9/16" stud	8 on 6.50
26	008-231-20	Grease 5/8" stud	8 on 6.50
26	008-231-16	Oil 1/2" stud	8 on 6.50

## BRAKES

Item	Part No.	Description
20	K23-105-00/K23-106-00	LH/RH Electric DXQ-6K
ns	K23-112-00/K23-113-00	LH/RH Electric DXQ, w/park-6K
ns	K23-328-00/K23-329-00	LH/RH Electric 6K CSA w/park
ns	K23-326-00/K23-327-00	LH/RH Electric 6K CSA
ns	K23-180-00/K23-181-00	LH/RH Electric-7K
ns	K23-338-00/K23-339-00	LH/RH Hyd. Uni-servo-7K
ns	K23-334-00/K23-335-00	LH/RH Hyd. Uni-servo w/park-7K
ns	K23-336-00/K23-337-00	LH/RH Hyd. Duo-servo-7K
ns	K23-332-00/K23-333-00	LH/RH Hyd. Duo-servo w/park-7K
ns	K23-342-00/K23-343-00	LH/RH Hyd. Uni-servo FB-7K
ns	K23-340-00/K23-341-00	LH/RH Hyd. Uni-servo FB w/park-7K
ns	K23-342-01/K23-343-01	LH/RH Hyd. Uni-servo FB-7K
ns	K23-340-01/K23-341-01	LH/RH Hyd. Uni-servo FB w/park-7K

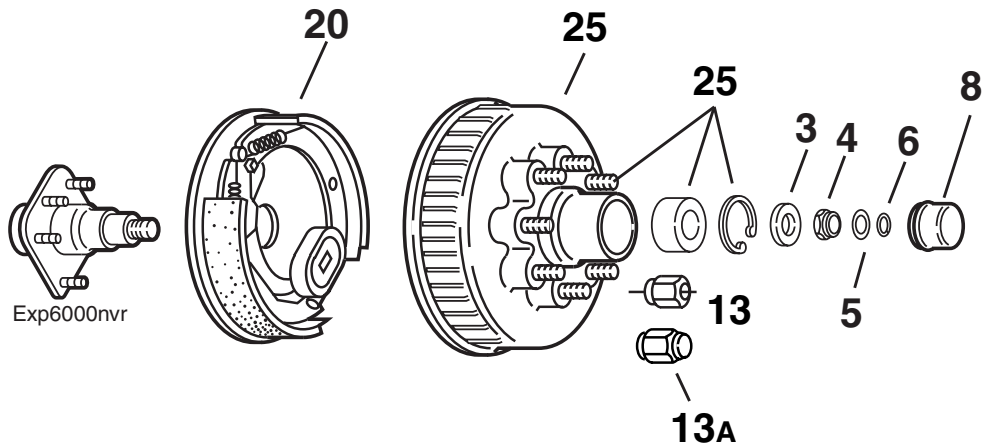
## STUDS & WHEEL NUTS

Item	Part No.	Description
10	025-011-00	9/16-18 Stud - UTG
11	007-122-00	1/2-20 x 1.84 Long Press-in Stud* (hubs prior to 1/04)
11	007-262-00	1/2-20 x 2.50 Long Press-in Stud* (hubs after 1/04)
13	006-080-00	1/2-20 60° Cone Nut
13A	006-098-00	1/2-20 Stainless Steel Capped Wheel Nut
ns	007-132-00	9/16-18 Press-in Stud
ns	006-053-00	9/16-18 60° Cone Nut
ns	007-232-00	5/8-18 Press-in Stud
ns	006-109-00	5/8-18 90° Cone Nut

\* Stud length measured under head to end of stud.

# 655 AND 865 NEV-R-LUBE™ HUB GROUP

5500 - 7000 LBS. CAPACITY



## NEV-R-LUBE™ PARTS

Item	Part No.	Description
ns	005-147-01	Spindle Washer, 42mm
3	005-149-00	Spindle Washer, 50mm
4	006-183-00	Spindle Nut
5	092-002-00	Washer, Torque Label
6	069-096-00	Snap Ring
ns	021-085-00	Hub Cap, 42mm
8	021-086-00	Hub Cap, 50mm

## 12 X 2 BRAKES

Item	Part No.	Description
20	K23-105-00/K23-106-00	LH/RH DXQ Electric
ns	K23-180-00/K23-181-00	LH/RH Electric-7K
ns	K23-338-00/K23-339-00	LH/RH Hyd. Uni-servo-7K
ns	K23-334-00/K23-335-00	LH/RH Hyd. Uni-servo w/park-7K
ns	K23-336-00/K23-337-00	LH/RH Hyd. Duo-servo-7K
ns	K23-332-00/K23-333-00	LH/RH Hyd. Duo-servo w/park-7K
ns	K23-342-00/K23-343-00	LH/RH Hyd. FB-7K
ns	K23-340-00/K23-341-00	LH/RH Hyd. FB w/park-7K
ns	K23-326-00/K23-327-00	LH/RH Electric 6K CSA

ns - not shown

## HUBS WITH BEARING AND WHEEL STUDS

Item	Part No.	Description	Bolt Circle
ns	008-388-80	Hub & Drum includes: 007-122-00 ½-20 Press-in Studs 031-073-03 42mm Bearing Cartridge 069-095-00 Bearing Retainer	6 on 5.50
25	008-385-82	Hub & Drum includes: 007-122-00 ½-20 Press-in Studs 031-071-03 50mm Bearing Cartridge 069-093-00 Bearing Retainer	8 on 6.50
ns	008-385-81	Hub & Drum includes: 007-223-00 9/16-18 Press-in Studs 031-071-03 50mm Bearing Cartridge 069-093-00 Bearing Retainer	8 on 6.50
ns	008-385-80	Hub & Drum includes: 007-224-00 9/8-18 Press-in Studs 031-071-03 50mm Bearing Cartridge 069-093-00 Bearing Retainer	8 on 6.50

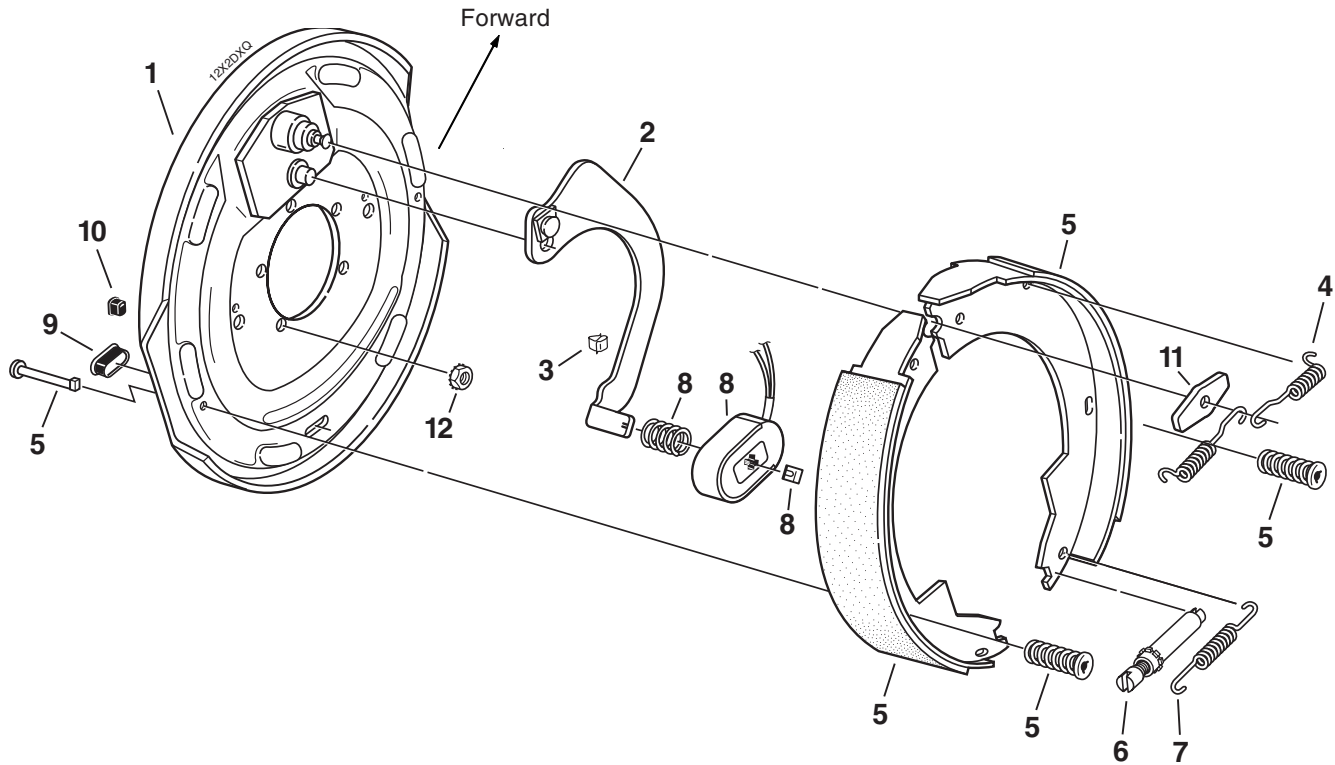
## WHEEL NUTS

Item	Part No.	Description
13	006-080-00	½-20 60° Cone Nut
13A	006-098-00	½-20 Stainless Steel Capped Wheel Nut
ns	006-053-00	9/16-18 60° Cone Nut
ns	006-109-00	5/8-18 90° Cone Nut

DEXTER AXLE

# 12x2" ELECTRIC BRAKE

5500 - 7000 LBS. CAPACITY



## DXQ ELECTRIC BRAKE 6000#

Item	Part No.	Qty/Brk	Description
0	K23-105-00	1	LH Complete Brake Assembly
0	K23-106-00	1	RH Complete Brake Assembly (shown)
1	036-089-05	1	Backing Plate Assembly
2	047-107-05	1	LH Actuating Lever Arm Assembly
2	047-108-05	1	RH Actuating Lever Arm Assembly
3	027-005-00	2	Wire Clip
4	046-009-00	2	Retractor Spring
5	K71-048-00	1	Shoe and Lining Kit containing: 1 #040-044-00 Primary S&L 1 #040-045-00 Secondary S&L 2 #049-011-00 Shoe Hold Down Pin #2 2 #046-077-00 Shoe Hold Down Spring & Cup
6	043-004-00	1	Adjuster Assembly
7	046-018-00	1	Adjusting Screw Spring
8	K71-105-00	1	Magnet Kit containing: 1 #042-099-01 Magnet (white wire) 1 #027-009-00 Magnet Clip 1 #046-080-00 Magnet Spring
9	046-007-00	1	Adjuster Slot Plug
10	046-016-00	1	Wire Grommet
11	005-067-00	1	Anchor Post Washer
*12	006-193-00	5	Nut Washer Assembly

\* Not included with complete brake assembly. Items sold separately.

## ELECTRIC BRAKE 6000#

Item	Part No.	Qty/Brk	Description
0	K23-326-00	1	LH Complete Brake Assembly
0	K23-327-00	1	RH Complete Brake Assembly
1	036-089-05	1	Backing Plate Assembly
2	047-107-05	1	LH Actuating Lever Arm Assembly
2	047-108-05	1	RH Actuating Lever Arm Assembly
3	027-005-00	2	Wire Clip
4	046-009-00	2	Retractor Spring
5	K71-127-00	1	Shoe and Lining Kit containing: 1 #040-215-00 Primary S&L 1 #040-216-00 Secondary S&L 2 #049-011-00 Shoe Hold Down Pin #2 2 #046-077-00 Shoe Hold Down Spring & Cup
6	043-004-00	1	Adjuster Assembly
7	046-018-00	1	Adjusting Screw Spring
8	K71-105-00	1	Magnet Kit containing: 1 #042-099-01 Magnet (white wire) 1 #027-009-00 Magnet Clip 1 #046-080-00 Magnet Spring
9	046-007-00	1	Adjuster Slot Plug
10	046-016-00	1	Wire Grommet
11	005-067-00	1	Anchor Post Washer
*12	006-193-00	5	Nut Washer Assembly

CSA approved at 6000#/14.2 SLR

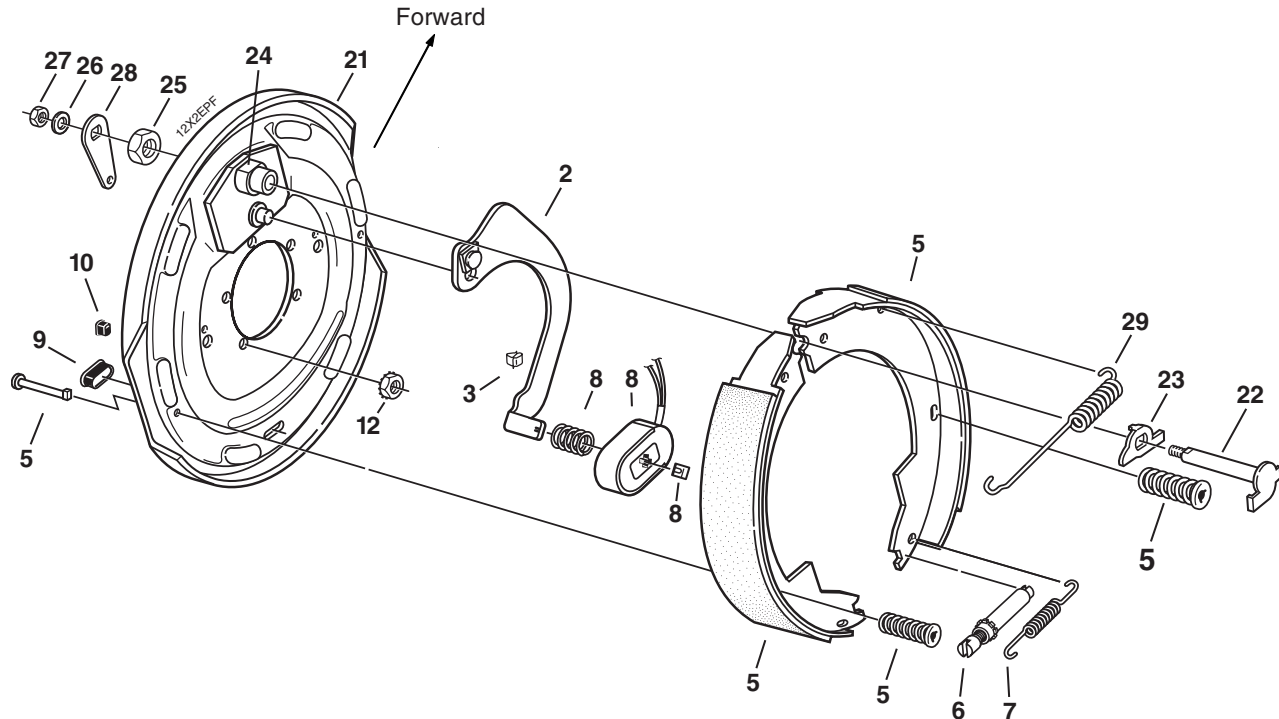
**These brakes are rated to a maximum capacity of 6000 lbs. / pair**

DEXTER AXLE



# 12x2" ELECTRIC BRAKE WITH PARKING FEATURE

**5500 - 7000 LBS. CAPACITY**



## DXQ ELECTRIC PARKING BRAKE 6000#

Item	Part No.	Qty/Brk	Description
0	K23-112-00	1	LH Complete Brake Assembly
0	K23-113-00	1	RH Complete Brake Assembly (shown)
2	047-107-05	1	LH Actuating Lever Arm Assembly
2	047-108-05	1	RH Actuating Lever Arm Assembly
3	027-005-00	2	Wire Clip
5	K71-048-00	1	Shoe and Lining Kit containing: 1 #040-044-00 Primary S&L 1 #040-045-00 Secondary S&L 2 #049-011-00 Shoe Hold Down Pin #2 2 #046-077-00 Shoe Hold Down Spring & Cup
6	043-004-00	1	Adjuster Assembly
7	046-018-00	1	Adjusting Screw Spring
8	K71-105-00	1	Magnet Kit containing: 1 #042-099-01 Magnet (white wire) 1 #027-009-00 Magnet Clip 1 #046-080-00 Magnet Spring
9	046-007-00	1	Adjuster Slot Plug
10	046-016-00	1	Wire Grommet
*12	006-193-00	5	Nut Washer Assembly
20	036-089-08	1	LH Backing Plate Ass'y Complete (incl. #21-28)
20	036-089-09	1	RH Backing Plate Ass'y Complete (incl. #21-28)
21	036-089-06	1	LH Backing Plate Ass'y
21	036-089-07	1	RH Backing Plate Ass'y
22	039-025-00	1	LH Pivot Pin & Cam Sub-Assembly
22	039-026-00	1	RH Pivot Pin & Cam Sub-Assembly
23	039-048-00	1	LH Actuating Cam
23	039-049-00	1	RH Actuating Cam
24	038-068-00	1	Anchor Post & Bushing Sub-Assembly
25	006-047-00	1	Anchor Post Locknut
26	005-041-00	1	Washer
27	006-011-00	1	Pivot Pin Locknut
28	047-070-00	1	Parking Brake Lever
29	046-005-00	1	Retractor Spring

\* Not included with complete brake assembly. Items sold separately.

## ELECTRIC PARKING BRAKE 6000#

Item	Part No.	Qty/Brk	Description
0	K23-328-00	1	LH Complete Brake Assembly
0	K23-329-00	1	RH Complete Brake Assembly
2	047-107-05	1	LH Actuating Lever Arm Assembly
2	047-108-05	1	RH Actuating Lever Arm Assembly
3	027-005-00	2	Wire Clip
5	K71-127-00	1	Shoe and Lining Kit containing: 1 #040-215-00 Primary S&L 1 #040-216-00 Secondary S&L 2 #049-011-00 Shoe Hold Down Pin #2 2 #046-077-00 Shoe Hold Down Spring & Cup
6	043-004-00	1	Adjuster Assembly
7	046-018-00	1	Adjusting Screw Spring
8	K71-105-00	1	Magnet Kit containing: 1 #042-099-01 Magnet (white wire) 1 #027-009-00 Magnet Clip 1 #046-080-00 Magnet Spring
9	046-007-00	1	Adjuster Slot Plug
10	046-016-00	1	Wire Grommet
*12	006-193-00	5	Nut Washer Assembly
20	036-089-08	1	LH Backing Plate Ass'y Complete (incl. #21-28)
20	036-089-09	1	RH Backing Plate Ass'y Complete (incl. #21-28)
21	036-089-06	1	LH Backing Plate Ass'y
21	036-089-07	1	RH Backing Plate Ass'y
22	039-025-00	1	LH Pivot Pin & Cam Sub-Assembly
22	039-026-00	1	RH Pivot Pin & Cam Sub-Assembly
23	039-048-00	1	LH Actuating Cam
23	039-049-00	1	RH Actuating Cam
24	038-068-00	1	Anchor Post & Bushing Sub-Assembly
25	006-047-00	1	Anchor Post Locknut
26	005-041-00	1	Washer
27	006-011-00	1	Pivot Pin Locknut
28	047-070-00	1	Parking Brake Lever
29	046-005-00	1	Retractor Spring

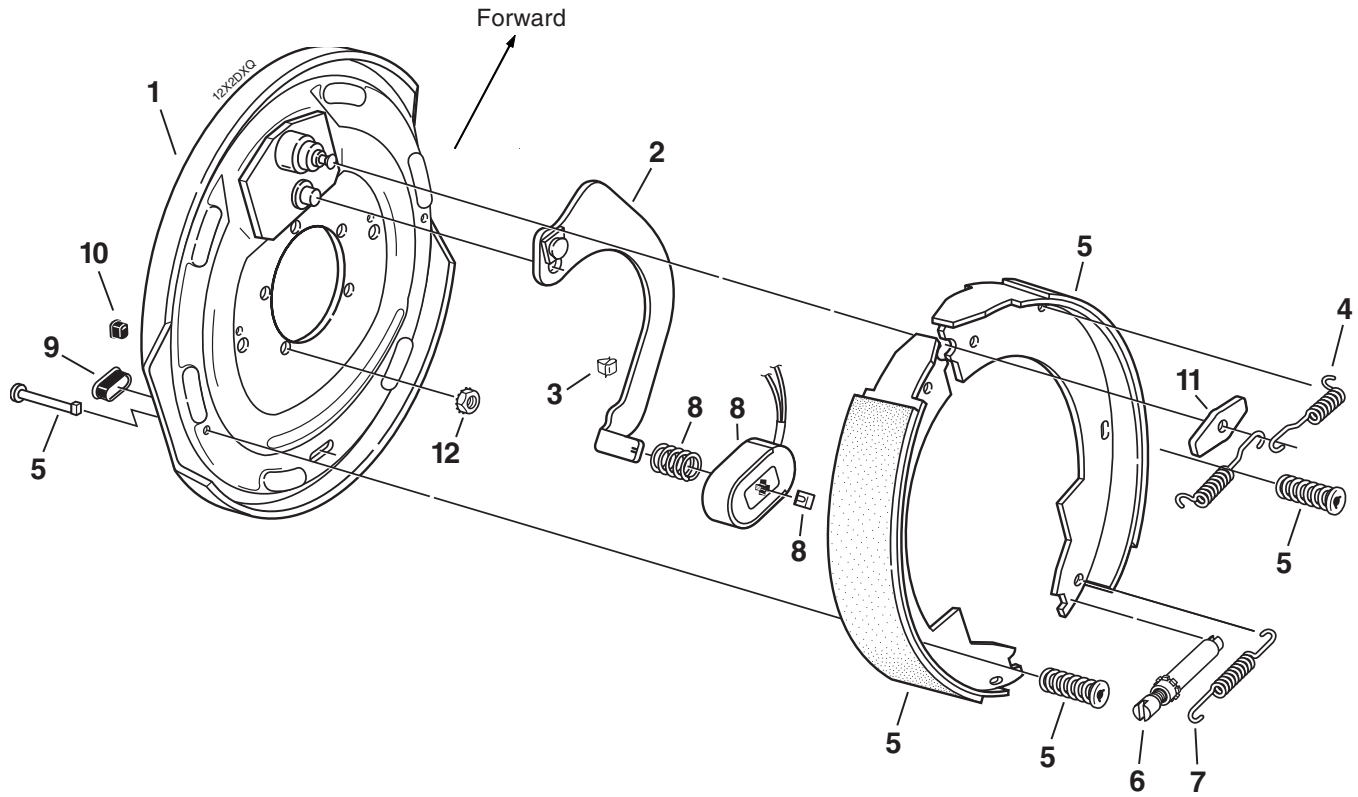
CSA approved at 6000#/14.2 SLR

**These brakes are rated to a maximum capacity of 6000 lbs. / pair**

**DEXTER AXLE**

# 12x2" 7K ELECTRIC BRAKE

5500 - 7000 LBS. CAPACITY



## ELECTRIC BRAKE 7000#

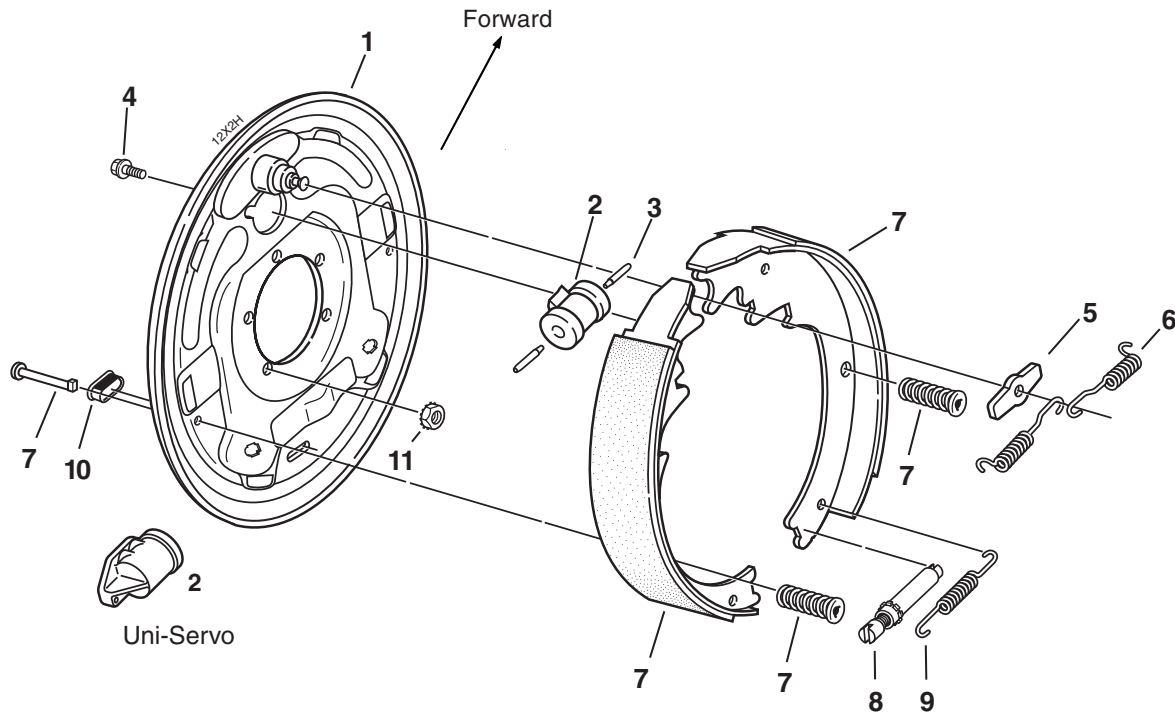
Item	Part No.	Qty/Brk	Description
0	K23-180-00	1	LH Complete Brake Assembly
0	K23-181-00	1	RH Complete Brake Assembly (shown)
1	036-089-10	1	Backing Plate Assembly
2	047-107-05	1	LH Actuating Lever Arm
2	047-108-05	1	RH Actuating Lever Arm
3	027-005-00	2	Wire Clip
4	046-009-00	2	Retractor Spring
5	K71-127-00	1	Shoe & Lining Kit containing: 1 #040-215-00 Primary S&L 1 #040-216-00 Secondary S&L 2 #049-011-00 Shoe Hold Down Pin #2 2 #046-077-00 Shoe Hold Down Spring & Cup
6	043-004-00	1	Adjuster Assembly
7	046-018-00	1	Adjusting Screw Spring
8	K71-125-00	1	Magnet Kit containing: 1 #042-101-01 Magnet (black wire) 1 #027-009-00 Magnet Clip 1 #046-080-00 Magnet Spring
9	046-007-00	1	Adjuster Slot Plug
10	046-016-00	1	Wire Grommet
11	005-067-00	1	Anchor Post Washer
*12	006-193-00	5	Nut Washer Assembly

\* Not included with complete brake assembly. Items sold separately.

DEXTER AXLE

# 12x2" HYDRAULIC BRAKE

5500 - 7000 LBS. CAPACITY



Note: Uni-servo brakes to be used with surge actuator

## HYDRAULIC BRAKE 7000#

Item	Part No.	Qty/Brk	Description
0	K23-338-00	1	LH Brake Assembly Complete-US
0	K23-339-00	1	RH Brake Assembly Complete-US (shown)
0	K23-336-00	1	LH Brake Assembly Complete-DS
0	K23-337-00	1	RH Brake Assembly Complete-DS (shown)
1	036-093-08	1	Backing Plate Assembly
2	054-064-00	1	LH Brake Cylinder Uni-Servo
2	054-065-00	1	RH Brake Cylinder Uni-Servo
2	054-062-00	1	LH Brake Cylinder Duo-Servo
2	054-063-00	1	RH Brake Cylinder Duo-Servo
3	054-060-00	1 or 2	Cylinder Push Rod US (1) DS (2)
4	087-001-00	2	Sems (screw & washer assembly)
5	005-113-00	1	Anchor Post Washer
6	046-101-00	2	Retractor Spring
7	K71-269-00	1	LH Shoe and Lining Kit containing: 1 #040-219-00 LH Primary S&L 1 #040-218-02 LH Secondary S&L 2 #046-077-00 Shoe Hold Down Spring & Cup 2 #049-012-00 Shoe Hold Down Pin #4
7	K71-270-00	1	RH Shoe and Lining Kit containing: 1 #040-219-00 RH Primary S&L 1 #040-218-01 RH Secondary S&L 2 #046-077-00 Shoe Hold Down Spring & Cup 2 #049-012-00 Shoe Hold Down Pin #4
8	043-029-00	1	Adjuster Assembly
9	046-102-00	1	Adjusting Screw Spring
10	046-007-00	1	Adjuster Slot Plug
*11	006-193-00	5	Nut Washer Assembly
ns	054-089-00	1	Bleeder Screw (included with item #2)

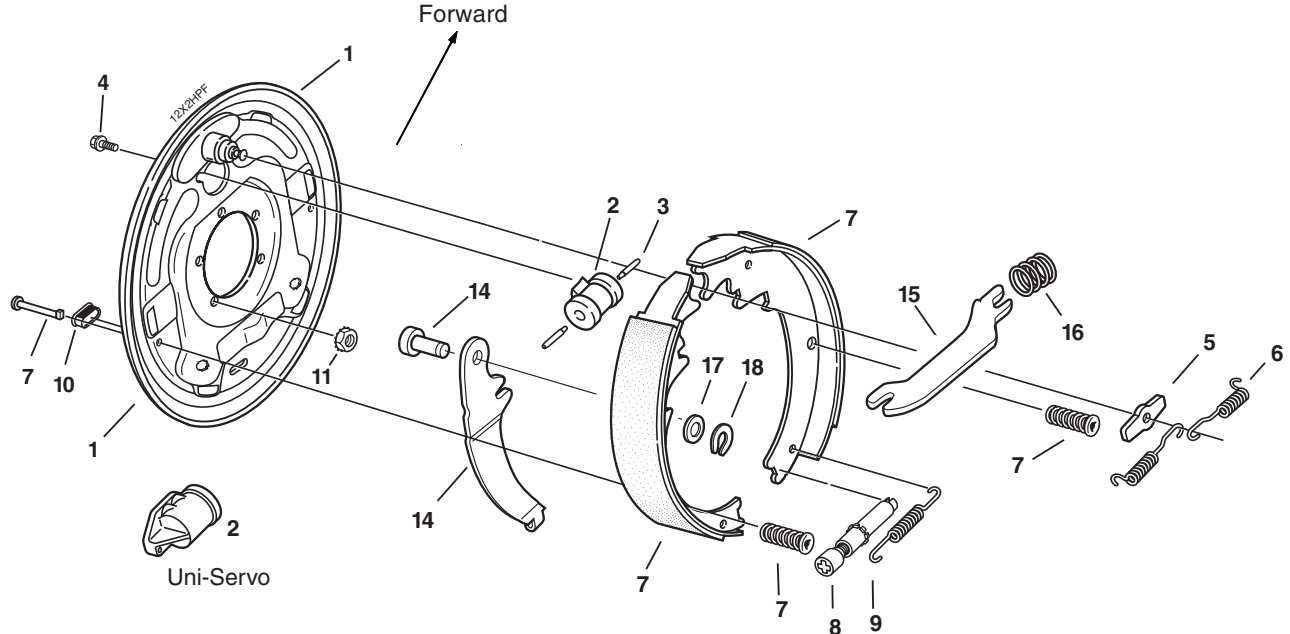
ns - not shown

\* Not included with complete brake assembly. Items sold separately.

DEXTER AXLE

**5500 - 7000 LBS. CAPACITY**

# 12x2" HYDRAULIC BRAKE WITH PARKING FEATURE



Note: Uni-servo brakes to be used with surge actuator

## HYDRAULIC PARKING BRAKE 7000#

Item	Part No.	Qty/Brk	Description
0	K23-332-00	1	LH Brake Assembly Complete-DS
0	K23-333-00	1	RH Brake Assembly Complete-DS (shown)
0	K23-334-00	1	LH Brake Assembly Complete-US
0	K23-335-00	1	RH Brake Assembly Complete-US (shown)
1	036-093-15	1	LH Backing Plate Assembly
1	036-093-16	1	RH Backing Plate Assembly
2	054-062-00	1	LH Brake Cylinder Duo-Servo
2	054-063-00	1	RH Brake Cylinder Duo-Servo
2	054-064-00	1	LH Brake Cylinder Uni-Servo
2	054-065-00	1	RH Brake Cylinder Uni-Servo
3	054-060-00	1 or 2	Cylinder Push Rod US (1) DS (2)
4	087-001-00	2	Sems (screw & washer assembly)
5	005-113-00	1	Anchor Post Washer
6	046-101-00	2	Retractor Spring
7	K71-269-00	1	LH Shoe and Lining Kit containing: 1 #040-219-00 Primary S&L 1 #040-218-02 Secondary S&L 2 #046-077-00 Shoe Hold Down Spring & Cup 2 #049-012-00 Shoe Hold Down Pin #4
7	K71-270-00	1	RH Shoe and Lining Kit containing: 1 #040-219-00 Primary S&L 1 #040-218-01 Secondary S&L 2 #046-077-00 Shoe Hold Down Spring & Cup 2 #049-012-00 Shoe Hold Down Pin #4
8	043-029-00	1	Adjuster Assembly
9	046-102-00	1	Adjusting Screw Spring
10	046-007-00	1	Adjuster Slot Plug
*11	006-193-00	5	Nut Washer Assembly
14	047-110-01	1	LH Parking Lever and Pin
14	047-111-01	1	RH Parking Lever and Pin
15	047-109-00	1	Parking Strut
16	046-103-00	1	Parking Strut Spring
17	005-112-00	1	Spring Tension Washer
18	069-055-00	1	Retainer
ns	054-089-00	1	Bleeder Screw (included with item #2)
ns	071-515-00	1	Park Brake Cable

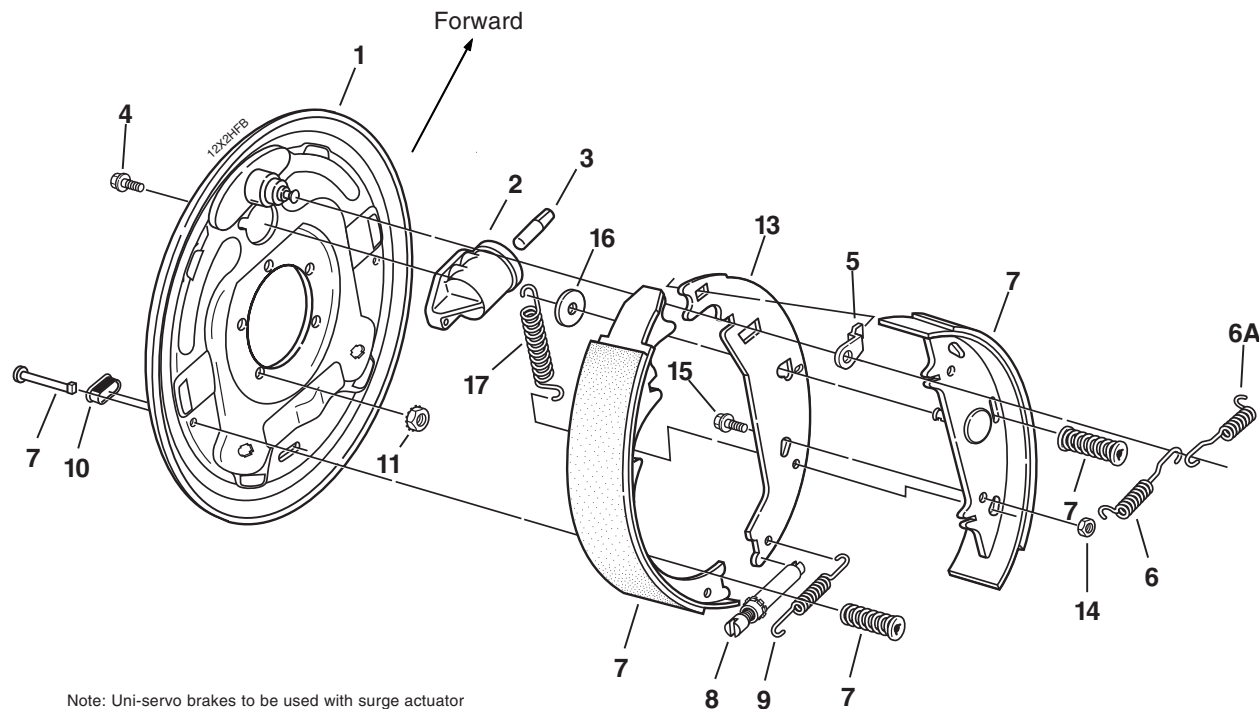
ns - not shown

\* Not included with complete brake assembly. Items sold separately.

**DEXTER AXLE**

# 12x2" HYDRAULIC BRAKE FREE BACKING

5500 - 7000 LBS. CAPACITY



Note: Uni-servo brakes to be used with surge actuator

## HYDRAULIC FREE BACKING BRAKE

Item	Part No.	Qty/Brk	Description
0	K23-342-00	1	LH Brake Assembly Complete
0	K23-343-00	1	RH Brake Assembly Complete (shown)
1	036-093-08	1	Backing Plate Assembly
2	054-064-00	1	LH Brake Cylinder Uni-Servo
2	054-065-00	1	RH Brake Cylinder Uni-Servo
3	054-060-00	1	Cylinder Push Rod
4	087-001-00	2	Sems (screw & washer assembly)
5	037-069-02	1	Travel Link
6	046-101-00	1	Retractor Spring
6A	046-107-01	1	Shoe Lever Return Spring
7	K71-394-00	1	LH Shoe and Lining Kit containing: 1 #040-243-08 LH Primary Shoe & Lining 1 #040-315-02 LH Secondary Shoe & Lining 1 #046-077-00 Shoe Hold Down Spring & Cup-Sec. 2 #035-001-00 Shoe Hold Down Cup-Primary 1 #046-006-00 Shoe Hold Down Spring-Primary 1 #049-013-00 Shoe Hold Down Pin #1-Primary 1 #049-002-00 Shoe Hold Down Pin #8- Sec.
7	K71-395-00	1	RH Shoe and Lining Kit containing: 1 #040-243-09 RH Primary Shoe & Lining 1 #040-315-01 RH Secondary Shoe & Lining 1 #046-077-00 Shoe Hold Down Spring & Cup-Sec. 2 #035-001-00 Shoe Hold Down Cup-Primary 1 #046-006-00 Shoe Hold Down Spring-Primary 1 #049-013-00 Shoe Hold Down Pin #1-Primary 1 #049-002-00 Shoe Hold Down Pin #8-Secondary
8	043-028-00	1	Adjuster Assembly
9	046-123-00	1	Adjusting Screw Spring
10	046-007-00	1	Adjuster Slot Plug
*11	006-193-00	5	Nut Washer Assembly
13	040-244-01	1	Shoe Lever
14	006-011-00	1	Locknut
15	007-210-00	1	Screw
16	005-064-00	1	Washer
17	046-108-01	1	Primary Shoe Return Spring
ns	054-089-00	1	Bleeder Screw (included with item #2)

ns - not shown

\* Not included with complete brake assembly. Items sold separately.

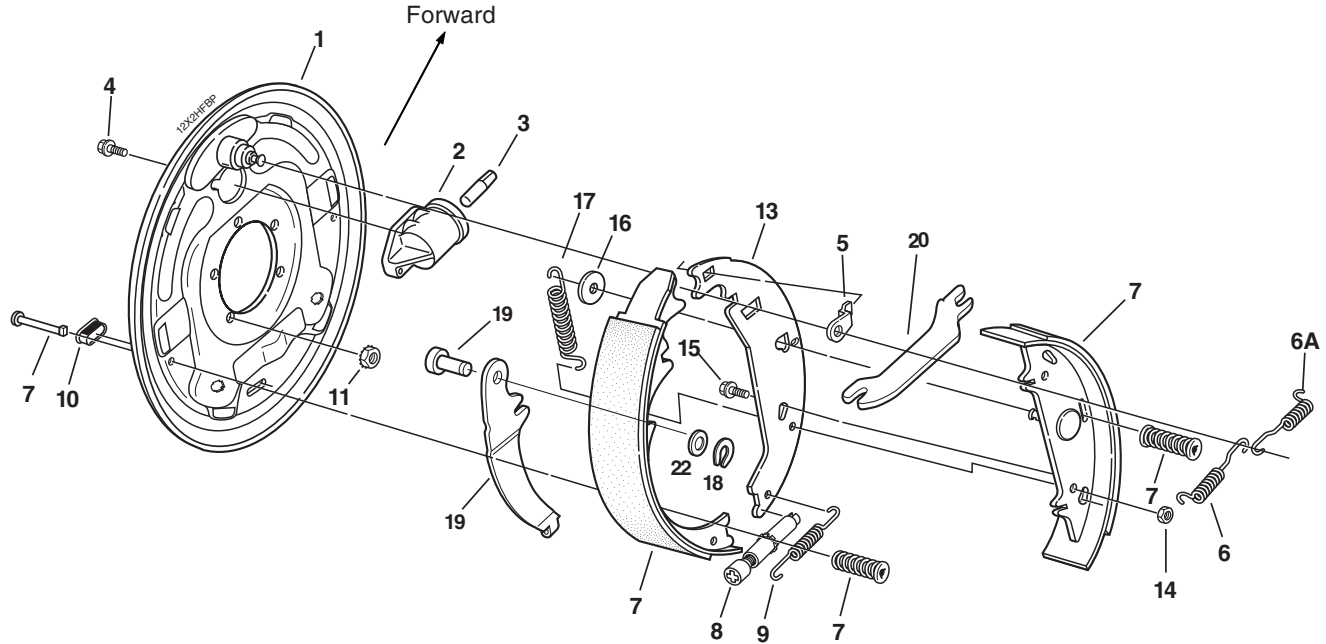
## HYDRAULIC FREE BACKING BRAKE CORROSION RESISTANT

Item	Part No.	Qty/Brk	Description
0	K23-342-01	1	LH Brake Assembly Complete
0	K23-343-01	1	RH Brake Assembly Complete
1	036-093-09	1	Backing Plate Assembly
2	054-064-01	1	LH Brake Cylinder Uni-Servo
2	054-065-01	1	RH Brake Cylinder Uni-Servo
3	054-060-00	1	Cylinder Push Rod
4	087-001-00	2	Sems (screw & washer assembly)
5	037-069-02	1	Travel Link
6	046-101-01	1	Retractor Spring
6A	046-107-03	1	Shoe Lever Return Spring
7	K71-427-00	1	LH Shoe and Lining Kit containing: 1 #040-243-06 LH Primary Shoe & Lining 1 #040-315-06 LH Secondary Shoe & Lining 1 #046-077-01 Shoe Hold Down Spring & Cup-Sec. 2 #035-001-00 Shoe Hold Down Cup-Primary 1 #046-006-01 Shoe Hold Down Spring & Cup-Primary 1 #049-013-00 Shoe Hold Down Pin #1-Primary 1 #049-002-00 Shoe Hold Down Pin #8- Sec.
7	K71-428-00	1	RH Shoe and Lining Kit containing: 1 #040-243-07 RH Primary Shoe & Lining 1 #040-315-05 RH Secondary Shoe & Lining 1 #046-077-01 Shoe Hold Down Spring & Cup-Sec. 2 #035-001-00 Shoe Hold Down Cup-Primary 1 #046-006-01 Shoe Hold Down Spring & Cup-Primary 1 #049-013-00 Shoe Hold Down Pin #1-Primary 1 #049-002-00 Shoe Hold Down Pin #8-Secondary
8	043-028-00	1	Adjuster Assembly
9	046-123-01	1	Adjusting Screw Spring
10	046-007-00	1	Adjuster Slot Plug
*11	006-193-00	5	Nut Washer Assembly
13	040-244-02	1	Shoe Lever
14	006-011-00	1	Locknut
15	007-210-00	1	Screw
16	005-064-00	1	Washer
17	046-108-03	1	Primary Shoe Return Spring
ns	054-089-00	1	Bleeder Screw (included with item #2)

DEXTER AXLE

# 12x2" HYDRAULIC BRAKE FREE BACKING WITH PARKING FEATURE

**5500 - 7000 LBS. CAPACITY**



Note: Uni-servo brakes to be used with surge actuator

## HYDRAULIC FREE BACKING PARKING BRAKE

Item	Part No.	Qty/Brk	Description
0	K23-340-00	1	LH Brake Assembly Complete
0	K23-341-00	1	RH Brake Assembly Complete (shown)
1	036-093-15	1	Backing Plate Assembly
1	036-093-16	1	Backing Plate Assembly
2	054-064-00	1	LH Brake Cylinder Uni-Servo
2	054-065-00	1	RH Brake Cylinder Uni-Servo
3	054-060-00	1	Cylinder Push Rod
4	087-001-00	2	Sems (screw & washer assembly)
5	037-069-02	1	Travel Link
6	046-101-00	1	Retractor Spring
6A	046-107-01	1	Shoe Lever Return Spring
7	K71-394-00	1	LH Shoe and Lining Kit containing: 1 #040-243-08 LH Primary Shoe & Lining 1 #040-315-02 LH Secondary Shoe & Lining 1 #046-077-00 Shoe Hold Down Spring & Cup-Sec. 2 #035-001-00 Shoe Hold Down Cup-Primary 1 #046-006-00 Shoe Hold Down Spring-Primary 1 #049-013-00 Shoe Hold Down Pin #1-Primary 1 #049-002-00 Shoe Hold Down Pin #8- Sec.
7	K71-395-00	1	RH Shoe and Lining Kit containing: 1 #040-243-09 RH Primary Shoe & Lining 1 #040-315-01 RH Secondary Shoe & Lining 1 #046-077-00 Shoe Hold Down Spring & Cup-Sec. 2 #035-001-00 Shoe Hold Down Cup-Primary 1 #046-006-00 Shoe Hold Down Spring-Primary 1 #049-013-00 Shoe Hold Down Pin #1-Primary 1 #049-002-00 Shoe Hold Down Pin #8-Secondary
8	043-028-00	1	Adjuster Assembly
9	046-123-00	1	Adjusting Screw Spring
10	046-007-00	1	Adjuster Slot Plug
*11	006-193-00	5	Nut Washer Assembly
13	040-244-01	1	Shoe Lever
14	006-011-00	1	Locknut
15	007-210-00	1	Screw
16	005-064-00	1	Washer
17	046-108-01	1	Primary Shoe Return Spring
18	069-055-00	1	Retainer
19	047-110-01	1	LH Parking Lever and Pin
19	047-111-01	1	RH Parking Lever and Pin
20	047-119-01	1	Strut for Parking Brake
22	005-112-00	1	Washer
ns	054-089-00	1	Bleeder Screw (included with item #2)
ns	071-515-00	1	Park Brake Cable

ns - not shown

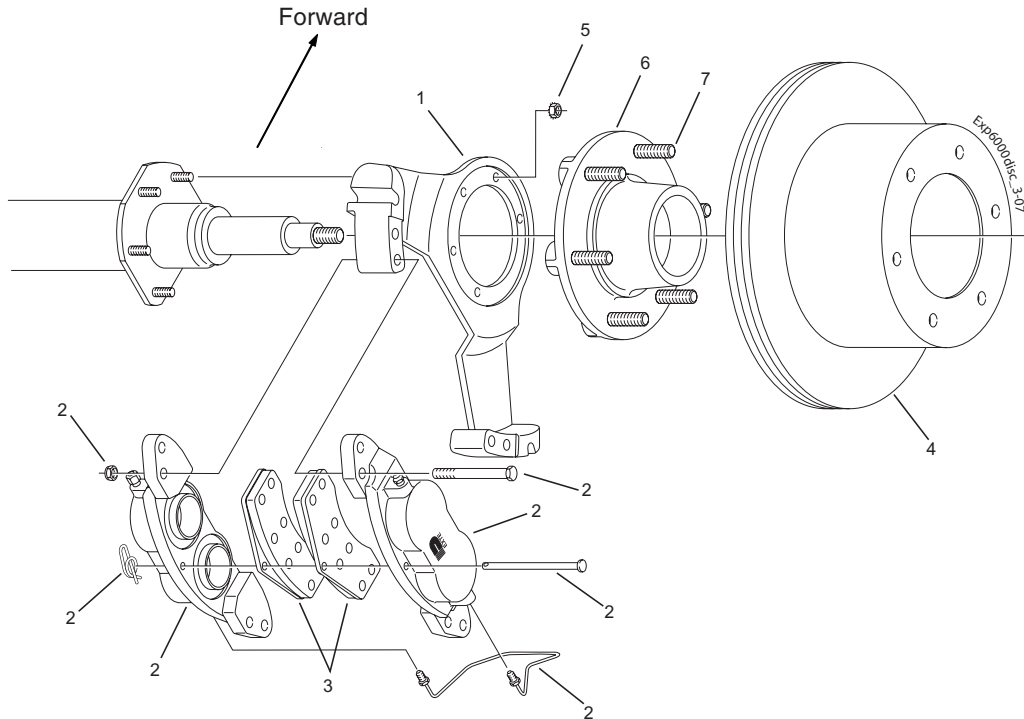
\* Not included with complete brake assembly. Items sold separately.

## HYDRAULIC FREE BACKING PARKING BRAKE CORROSION RESISTANT

Item	Part No.	Qty/Brk	Description
0	K23-340-01	1	LH Brake Assembly Complete
0	K23-341-01	1	RH Brake Assembly Complete
1	036-093-17	1	LH Backing Plate Assembly
1	036-093-18	1	RH Backing Plate Assembly
2	054-064-01	1	LH Brake Cylinder Uni-Servo
2	054-065-01	1	RH Brake Cylinder Uni-Servo
3	054-060-00	1	Cylinder Push Rod
4	087-001-00	2	Sems (screw & washer assembly)
5	037-069-02	1	Travel Link
6	046-101-01	1	Retractor Spring
6A	046-107-03	1	Shoe Lever Return Spring
7	K71-427-00	1	LH Shoe and Lining Kit containing: 1 #040-243-06 LH Primary Shoe & Lining 1 #040-315-06 LH Secondary Shoe & Lining 1 #046-077-01 Shoe Hold Down Spring & Cup-Sec. 2 #035-001-00 Shoe Hold Down Cup-Primary 1 #046-006-01 Shoe Hold Down Spring & Cup-Primary
7	K71-428-00	1	RH Shoe and Lining Kit containing: 1 #040-243-07 RH Primary Shoe & Lining 1 #040-315-05 RH Secondary Shoe & Lining 1 #046-077-01 Shoe Hold Down Spring & Cup-Sec. 2 #035-001-00 Shoe Hold Down Cup-Primary 1 #046-006-01 Shoe Hold Down Spring & Cup-Primary
8	043-028-00	1	Adjuster Assembly
9	046-123-01	1	Adjusting Screw Spring
10	046-007-00	1	Adjuster Slot Plug
*11	006-193-00	5	Nut Washer Assembly
13	040-244-02	1	Shoe Lever
14	006-011-00	1	Locknut
15	007-210-00	1	Screw
16	005-064-00	1	Washer
17	046-108-03	1	Primary Shoe Return Spring
18	069-055-00	1	Retainer
19	047-110-01	1	LH Parking Lever and Pin
19	047-111-01	1	RH Parking Lever and Pin
20	047-119-01	1	Strut for Parking Brake
22	005-112-00	1	Washer
ns	054-089-00	1	Bleeder Screw (included with item #2)

**DEXTER AXLE**

# DISC BRAKE FOR 6,000 LB. AXLES



## DISC BRAKE 6000#

Item	Part No.	Qty/Brk	Description
1	090-005-01	1	Anchor Yoke LH
	090-005-02	1	Anchor Yoke RH (shown)
2	K71-636-00	1	Caliper Assembly Kit for LH or RH includes:
	2 089-005-02		Assembled Caliper Half
	1 054-092-00		Bleeder Screw
	1 054-094-00		Adapter Fitting
	4 007-254-00		Caliper Mounting Bolt
	1 056-038-00		Pad Retaining Pin
	4 006-045-00		Caliper Mounting Nut
	1 019-019-00		Cotter Ring
	1 071-513-00		Cross Over Hydraulic Line (yokes without notch)
	1 071-517-00		Cross Over Hydraulic Line (yokes with notch)
3	K71-629-00	1	Brake Pad Kit (axle set)
4	K71-637-00	1	Rotor Kit
5	006-193-00	5	3/8" Brake Mounting Nut-Washer Assembly

## DISC BRAKE HUBS & STUDS

Item	Part No.	Qty/Brk	Description
6	008-403-05	1	Grease 1/2" Studs 6 on 5.50
7	007-262-00	6	1/2"-20 x 2.50" Press-in Stud

## DISC BRAKE 6000# WITH 42MM NEV-R-LUBE™

Item	Part No.	Qty/Brk	Description
1	090-006-01	1	Anchor Yoke LH
	090-006-02	1	Anchor Yoke RH
2	K71-636-00	1	Caliper Assembly Kit for LH or RH includes:
	2 089-005-02		Assembled Caliper Half
	1 054-092-00		Bleeder Screw
	1 054-094-00		Adapter Fitting
	4 007-254-00		Caliper Mounting Bolt
	1 056-038-00		Pad Retaining Pin
	4 006-045-00		Caliper Mounting Nut
	1 019-019-00		Cotter Ring
	1 071-513-00		Cross Over Hydraulic Line (yokes without notch)
	1 071-517-00		Cross Over Hydraulic Line (yokes with notch)
3	K71-629-00	1	Brake Pad Kit (axle set)
4	K71-637-00	1	Rotor Kit
5	006-193-00	5	3/8" Brake Mounting Nut-Washer Assembly

## NEV-R-LUBE™ DISC BRAKE HUBS

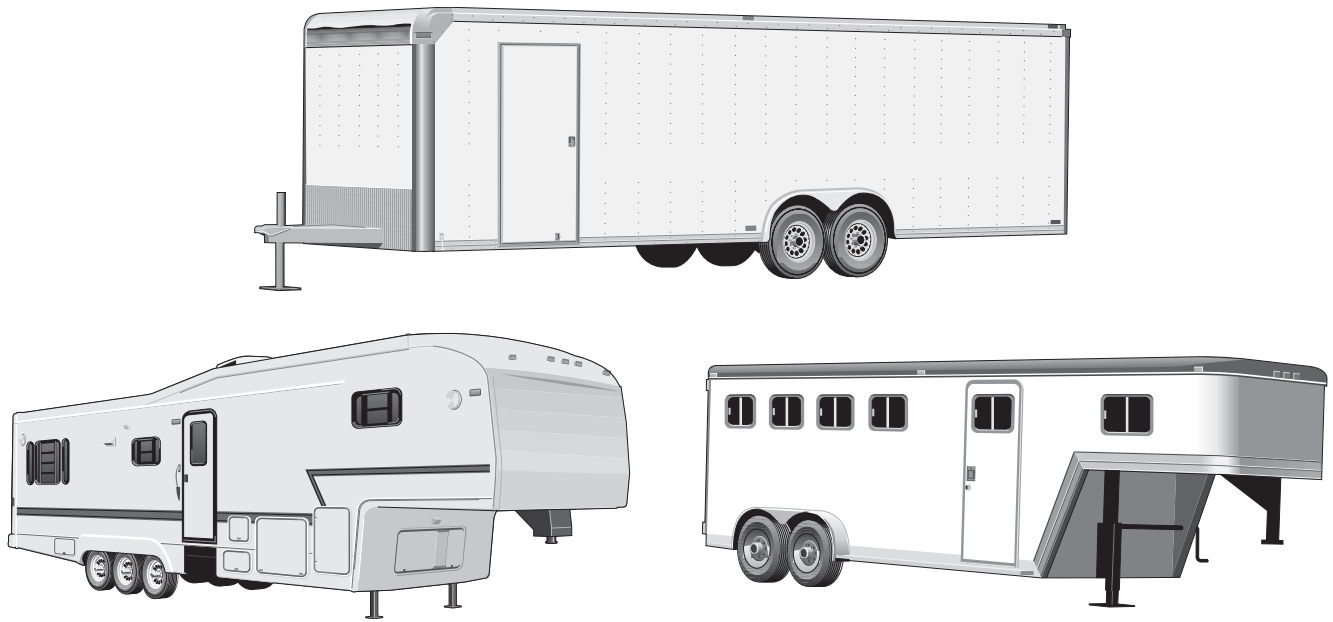
Item	Part No.	Qty/Brk	Description
6	008-404-80	1	1/2" Studs, 42mm 6 on 5.50
7	007-262-00	6	1/2"-20 x 2.50" Press-in Stud

**5500 - 7000 LBS. CAPACITY**

**DEXTER AXLE**

# AIRFLEX™ LIGHT TRAILER SUSPENSION SYSTEM

5500 - 7000 LBS. CAPACITY

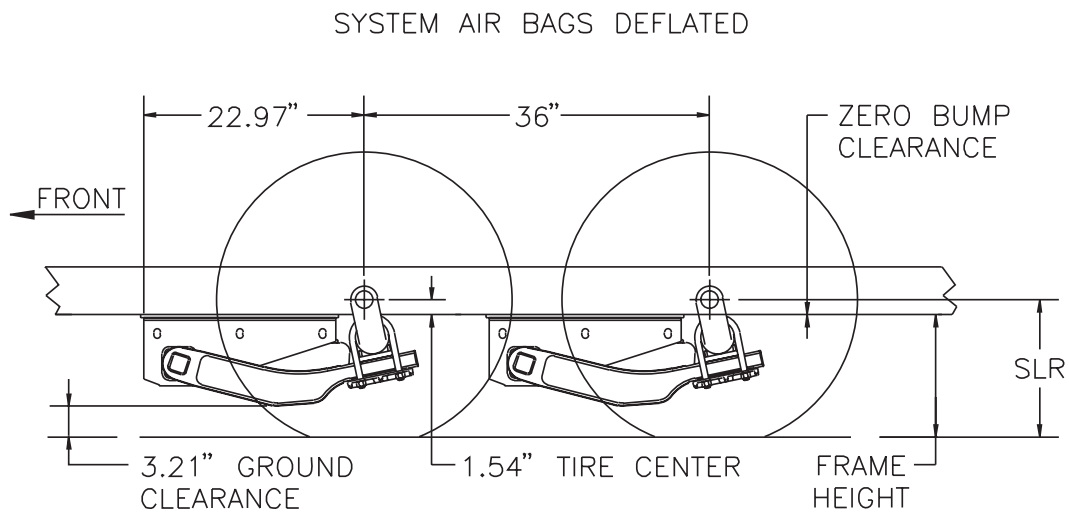
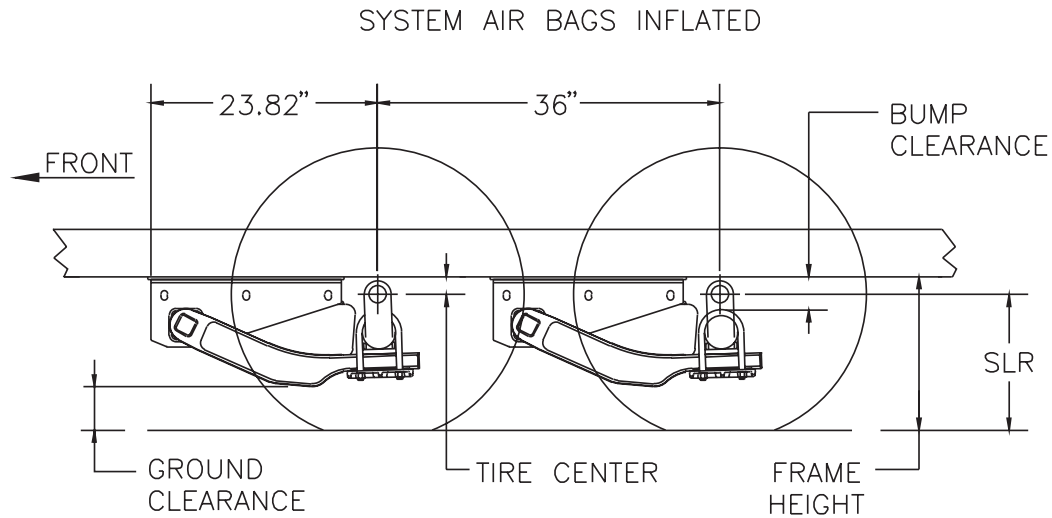


- Suspension and axle come fully assembled for easy installation
- The suspension maintains a constant trailer floor height regardless of cargo weight
- The suspension isolates the cargo from road shock using air springs and Torflex® technology
- Designed for 6,000 to 8,000 lb. axle capacities
- Adjustable axle seats provided to align axle
- Bolt-on side mount brackets come standard
- Air control kits are available
- Straight, 4" drop, or Nev-R-Lube™ spindle options are available
- Electric drum, hydraulic drum, and hydraulic disc brakes options are available
- 2 year limited warranty on axle and suspension



DEXTER AXLE





### SUSPENSION DIMENSIONS

	LT235/85R16 Tire	215/75R17.5HC Tire
Frame Height		
4" drop spindle	16.28"	15.98"
With bags deflated	12.78"	12.48"
Tire Center		
4" drop spindle	1.88"	1.88"
Ground Clearance		
4" drop spindle	4.68"	4.38"
Static Bump Clearance		
4" drop spindle	3.5"	3.5"

All dimensions are with axle loaded to capacity and air bags inflated

For straight spindles add 4" to frame height, tire center, and ground clearance dimensions

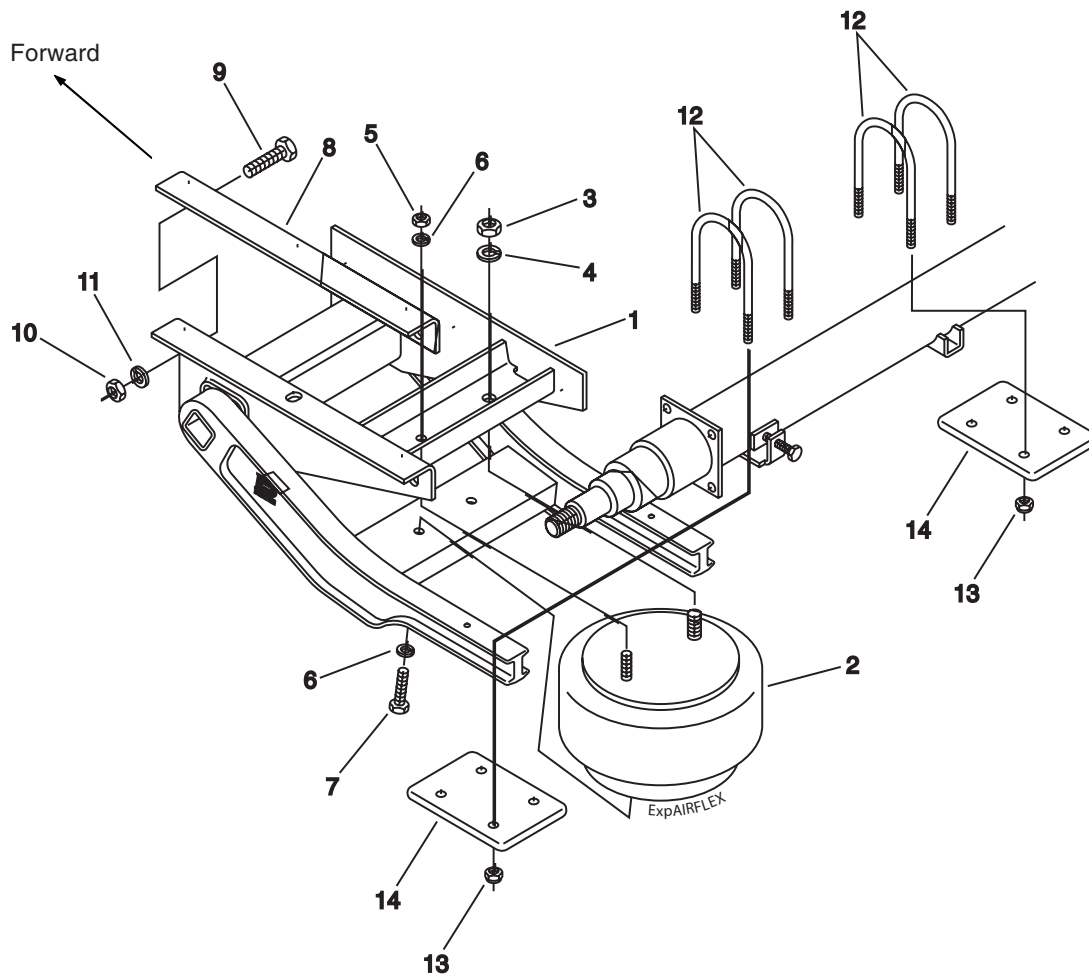
### DIFFERENCE BETWEEN HUB FACE AND OUTSIDE MOUNTING BRACKETS

Axle Type	Minimum	Recommended	Maximum
D60-70 Straight	11.50"	14.00"	21.50"
D60-70 Drop	16.50"	16.50"	21.50"

Requires 3.50" diameter x 0.50" wall tubing.

# AIRFLEX™ FOR 7,000 LB. AXLES

5500 - 7000 LBS. CAPACITY



## AIRFLEX™ SUSPENSION COMPONENTS 7000#

Item	Part No.	Qty/Axle	Description
1	003-272-00	1	LH Suspension Assembly (incl. items #2-11) (shown)
1	003-273-00	1	RH Suspension Assembly (incl. items #2-11)
<b>Air Spring &amp; Mounting Hardware</b>			
2	034-279-00	2	Air Spring
3	006-122-01	2	3/4"-16 Jam Nut
4	005-143-00	2	3/4" Lock Washer
5	006-116-00	2	1/2"-13 Hex Nut
6	005-058-00	6	1/2" Lock Washer
7	007-259-00	4	1/2"-13 Hex Bolt
<b>Suspension Mounting Hardware</b>			
8	003-261-00	2	Side Mount Bracket
9	007-177-00	6	5/8" Mounting Bolt
10	006-126-00	6	3/8" Lock Nut
11	005-111-00	6	5/8" Washer
<b>Axle Attaching Hardware</b>			
12	011-089-01	8	5/8" U-Bolt
13	006-038-00	16	3/8" Lock Nut
14	012-060-02	4	Tie Plate
<b>Air Supply Kits</b>			
ns	K71-632-01	-	Tandem Plumbing Kit with Ride Height Control Valve
ns	K71-632-02	-	Air Generation Kit (includes compressor and tank)
ns	K71-632-03	-	Manual Dump Valve Kit
ns	K71-632-04	-	Tri-Axle Conversion Plumbing Kit

ns - not shown

DEXTER AXLE